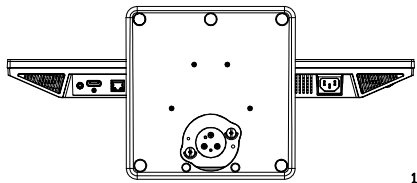
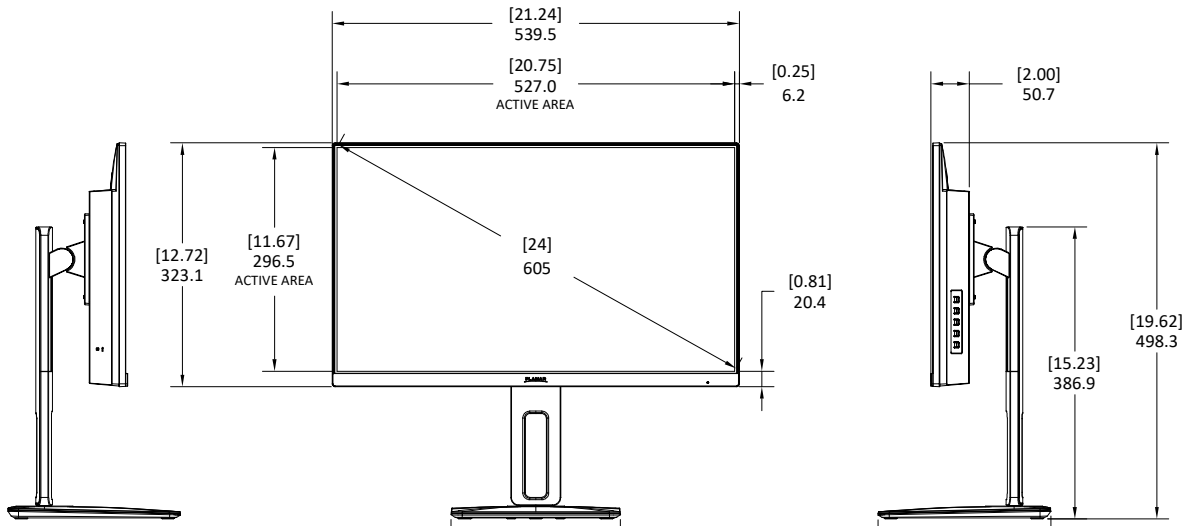
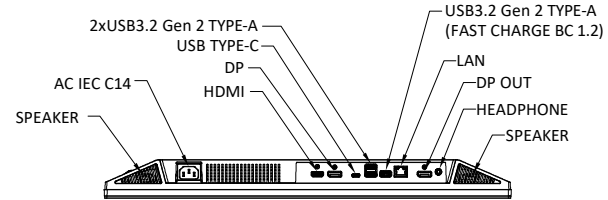
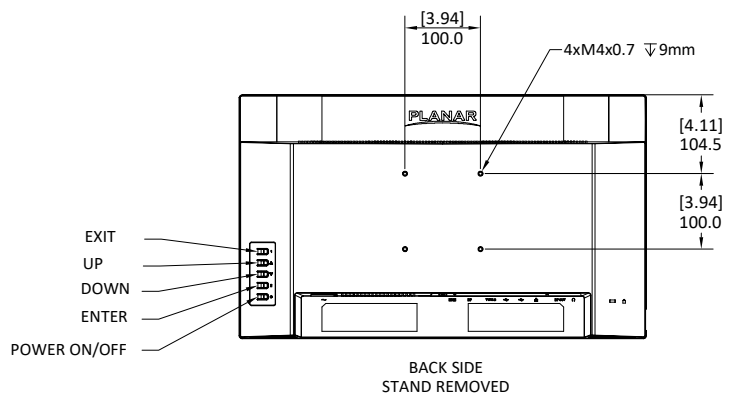
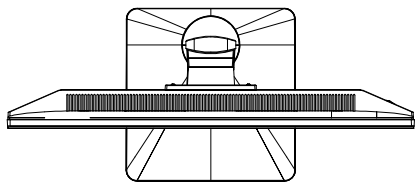


REVISION HISTORY					
ECO	ZONE	REV.	DESCRIPTION	DATE	APPR'D



1. SPECIFICATIONS SUBJECT TO CHANGE WITHOUT NOTICE
 NOTES: UNLESS OTHERWISE SPECIFIED.

	UNLESS OTHERWISE SPECIFIED, DIMENSIONS ARE IN MILLIMETERS [INCHES].		ENGR BY	
	TOLERANCES:		DRAWN BY	JAC
	X = ±1	.XX = ±.25	CHECKED BY	14 Jan 22
	.X = ±.5	∅ = ±1*	USED ON	
DIMENSIONING AND TOLERANCING PER ASME Y14.5M-1994		MATERIAL		
THIRD ANGLE PROJECTION		FINISH		

		PLANAR SYSTEMS, INC. 1195 NE COMPTON DRIVE HILLSBORO, OR 97006 USA	
PZD2410			
SIZE	PART NO.	DRAWING NO.	REV
C	998-2945-00	998-2945-00	A
SCALE	1:5	DO NOT SCALE	SHEET 1 OF 1

THIS DRAWING CONTAINS INFORMATION PROPRIETARY TO PLANAR SYSTEMS, INC. ANY REPRODUCTION IN PART OR WHOLE WITHOUT THE WRITTEN PERMISSION OF PLANAR SYSTEMS IS PROHIBITED. THIS DRAWING IS SUPPLIED FOR INFORMATION, IDENTIFICATION, ENGINEERING EVALUATION, AND/OR INSPECTION PURPOSES ONLY AND MAY NOT BE USED AS BASIS FOR THE MANUFACTURING OF PRODUCTS OR THE FURNISHING OF SERVICES TO PLANAR SYSTEMS OR TO ANY THIRD PARTY UNLESS AUTHORIZED IN WRITING BY PLANAR SYSTEMS.