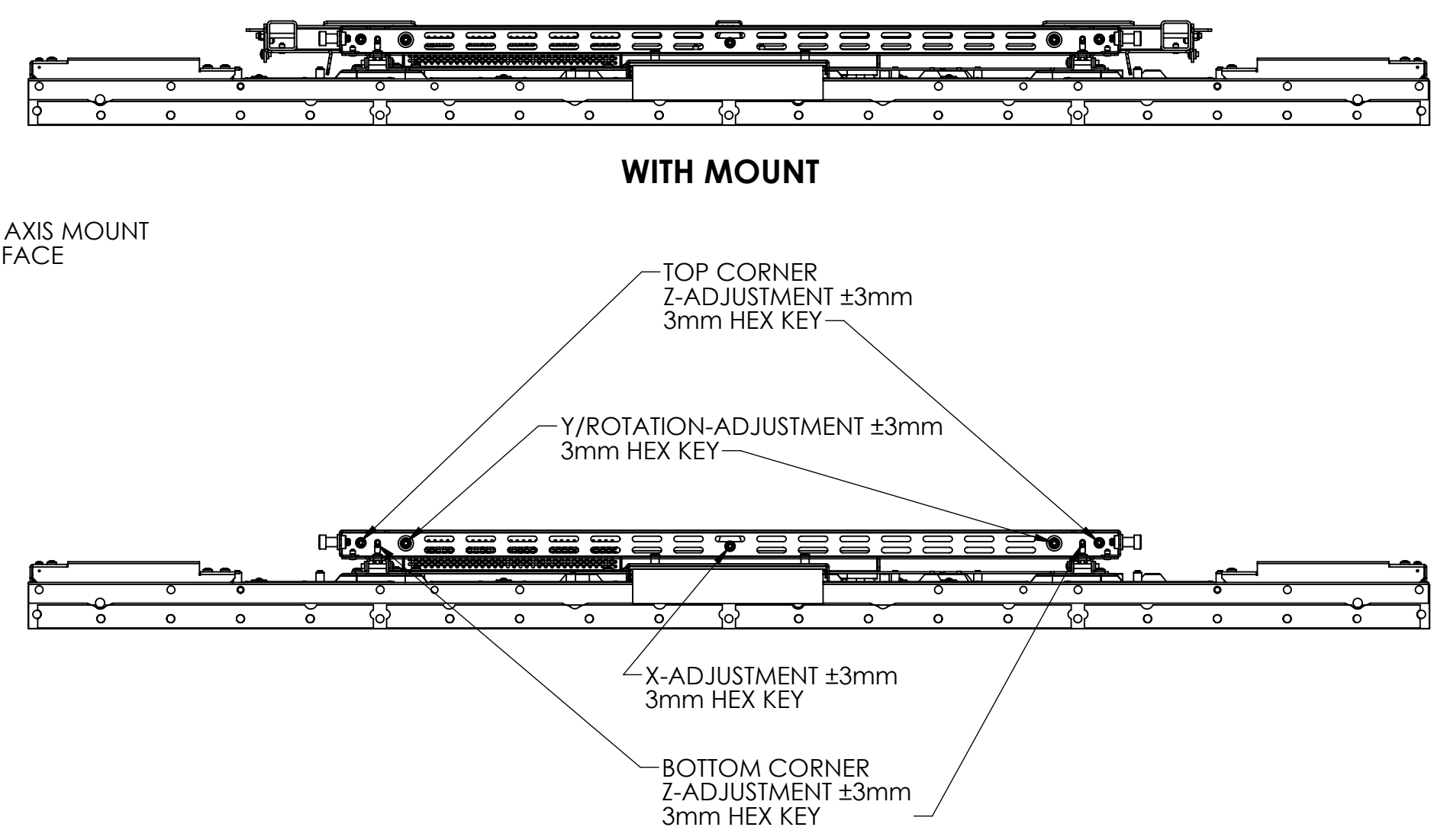
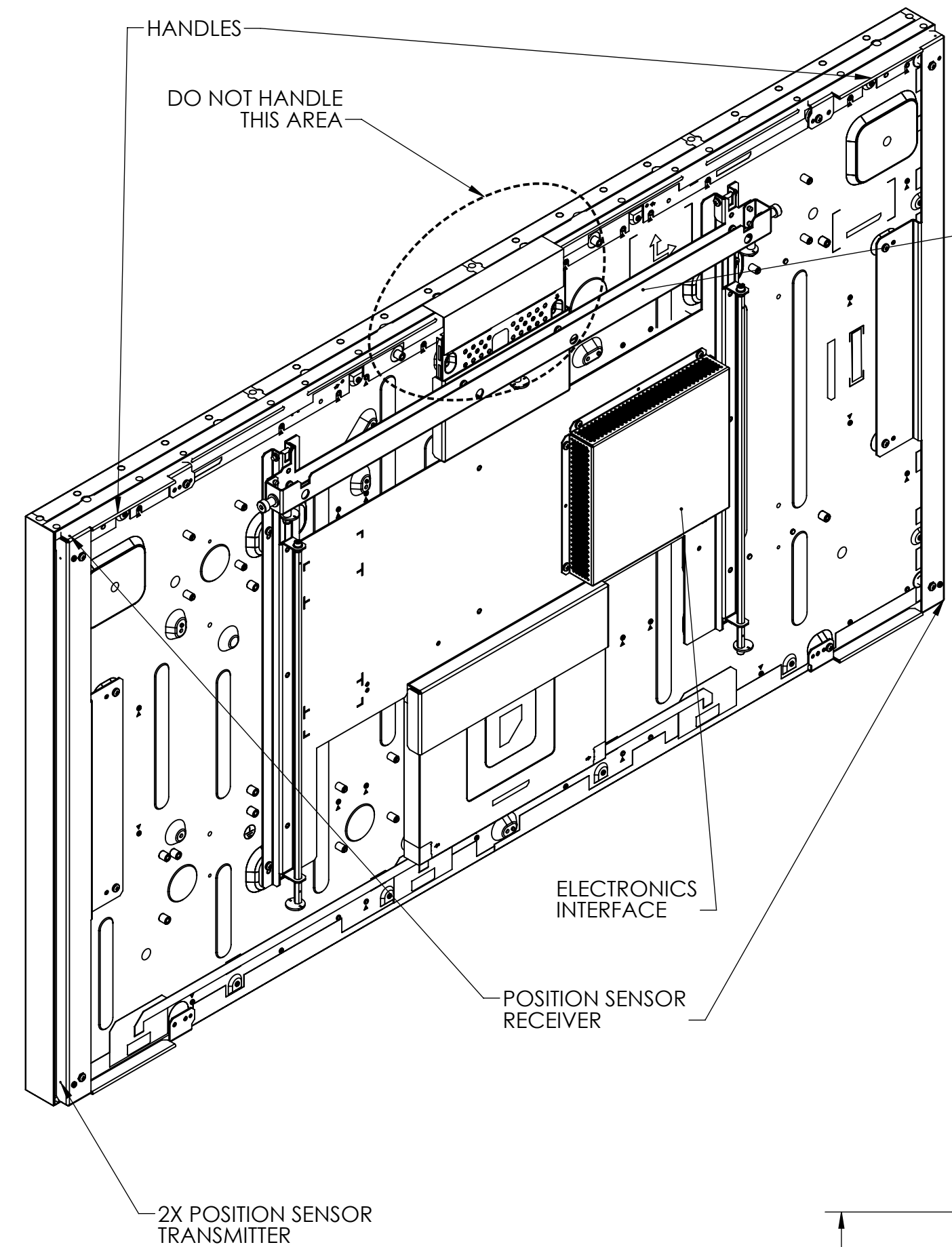


REVISION HISTORY					
ECO	ZONE	REV.	DESCRIPTION	DATE	APPR'D



MINIMUM GAP TO CEILING		
CONDITION	'A'	
	mm	in
SERVICE MODE	38	1.5
TOOL ACCESS	165	6.5
PANEL REMOVAL ONLY	32	1.3
MINIMUM GAP	17	0.7

TOP VIEW

STANDARD PANEL DIMENSIONS
[47.78]
1213.6

ERO PANEL DIMENSIONS
[47.81]
1214.4

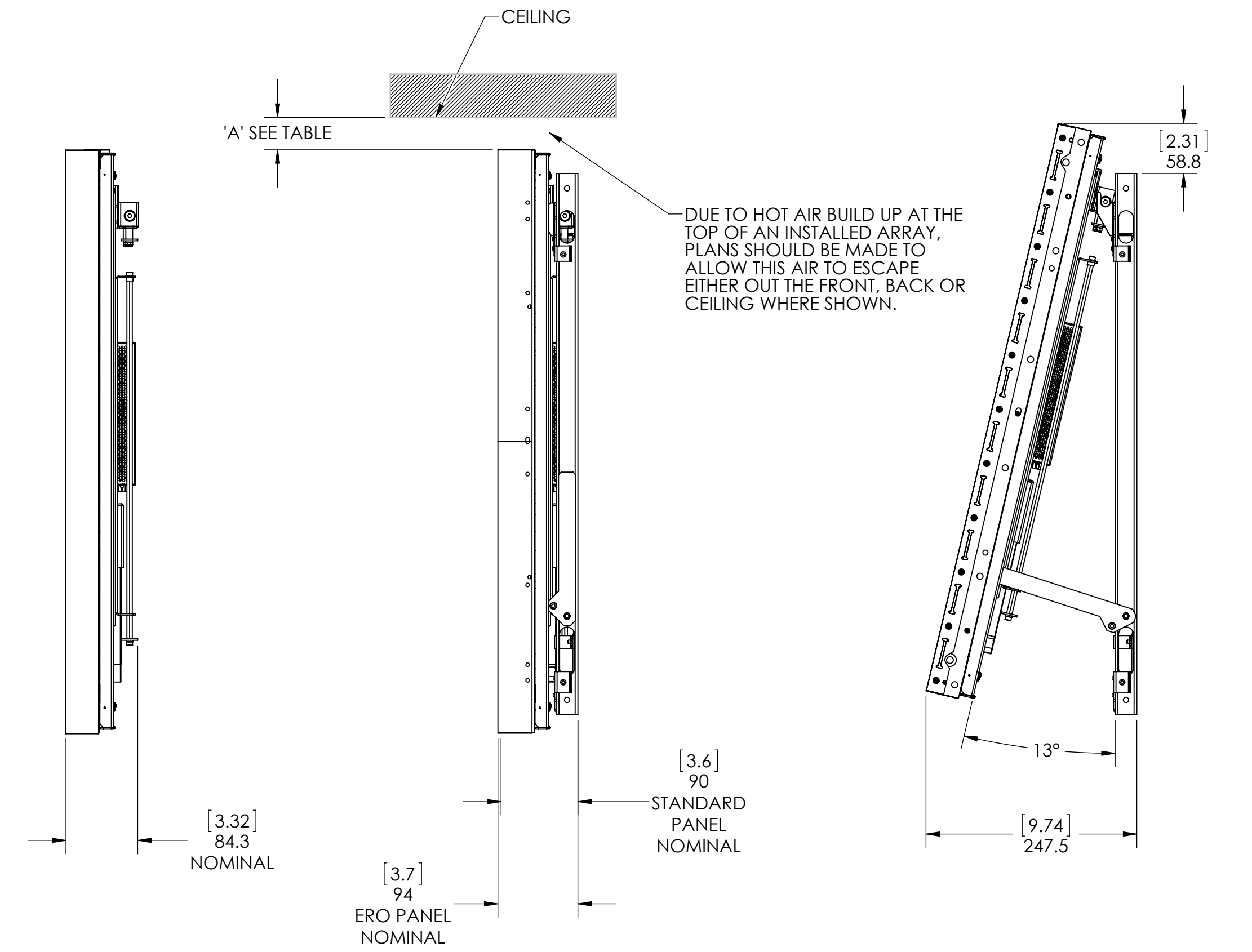
STANDARD PANEL DIMENSIONS
[26.94]
684.4

ERO PANEL DIMENSIONS
[26.98]
685.2

WITHOUT MOUNT
STANDARD PANEL SHOWN

WITH MOUNT
ERO PANEL SHOWN

SERVICE MODE



FRONT VIEW
STANDARD PANEL SHOWN

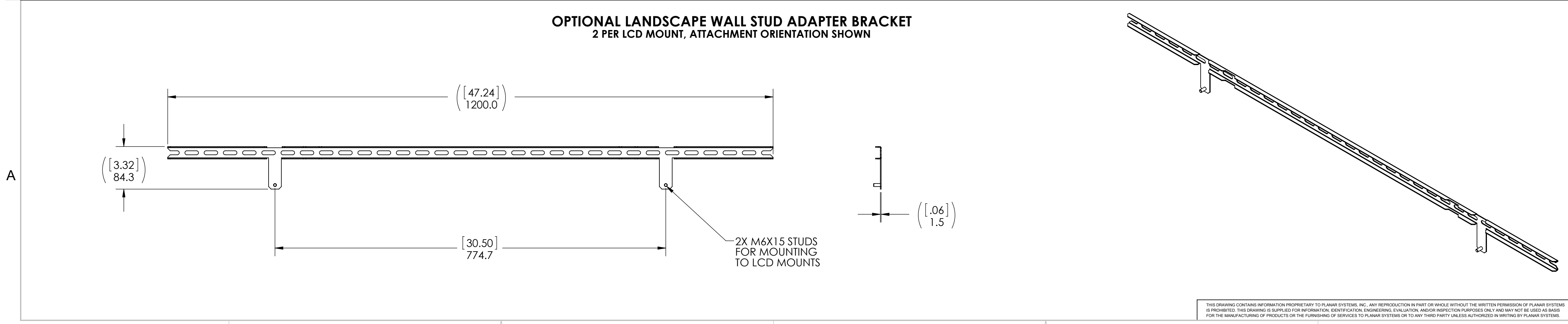
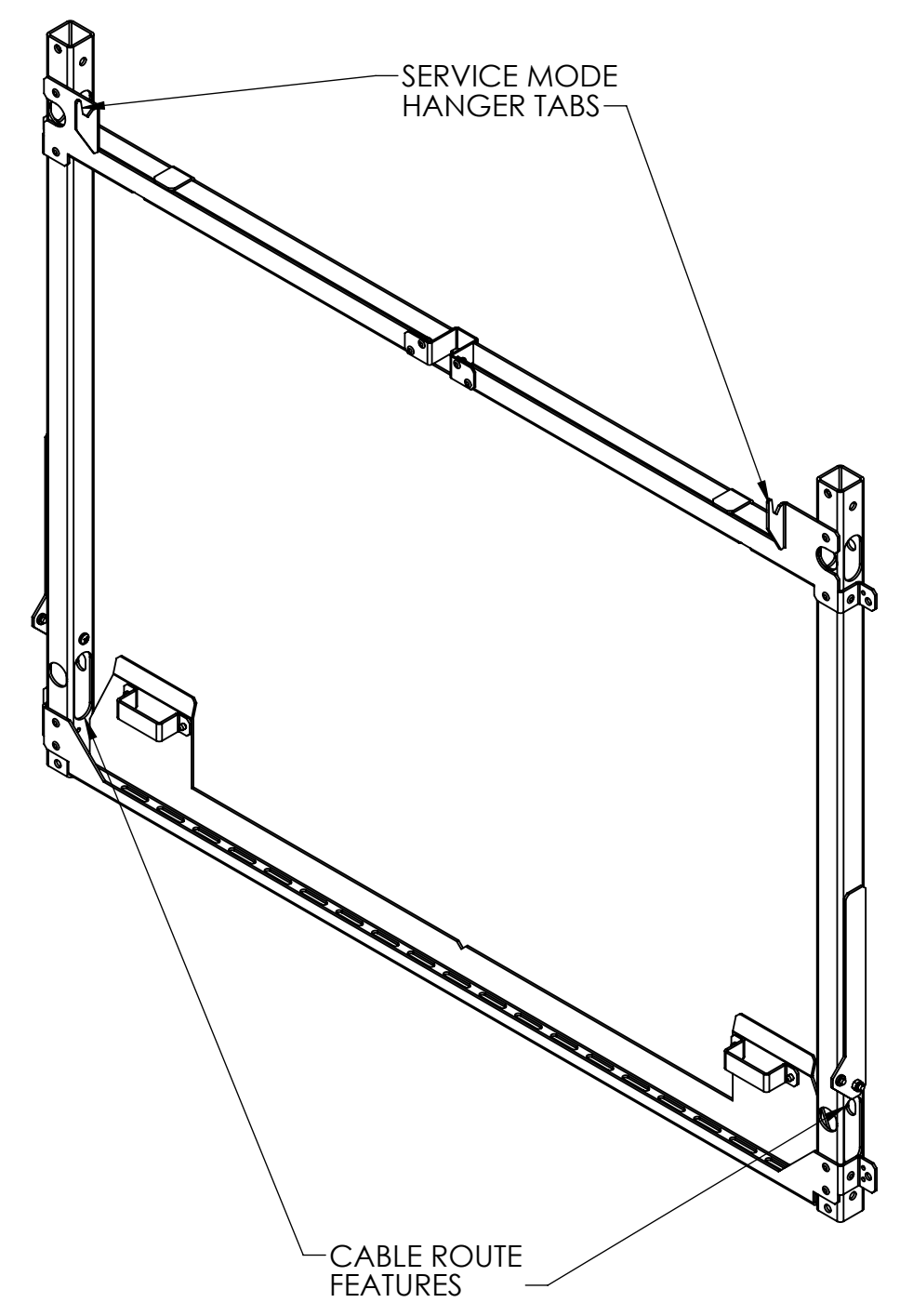
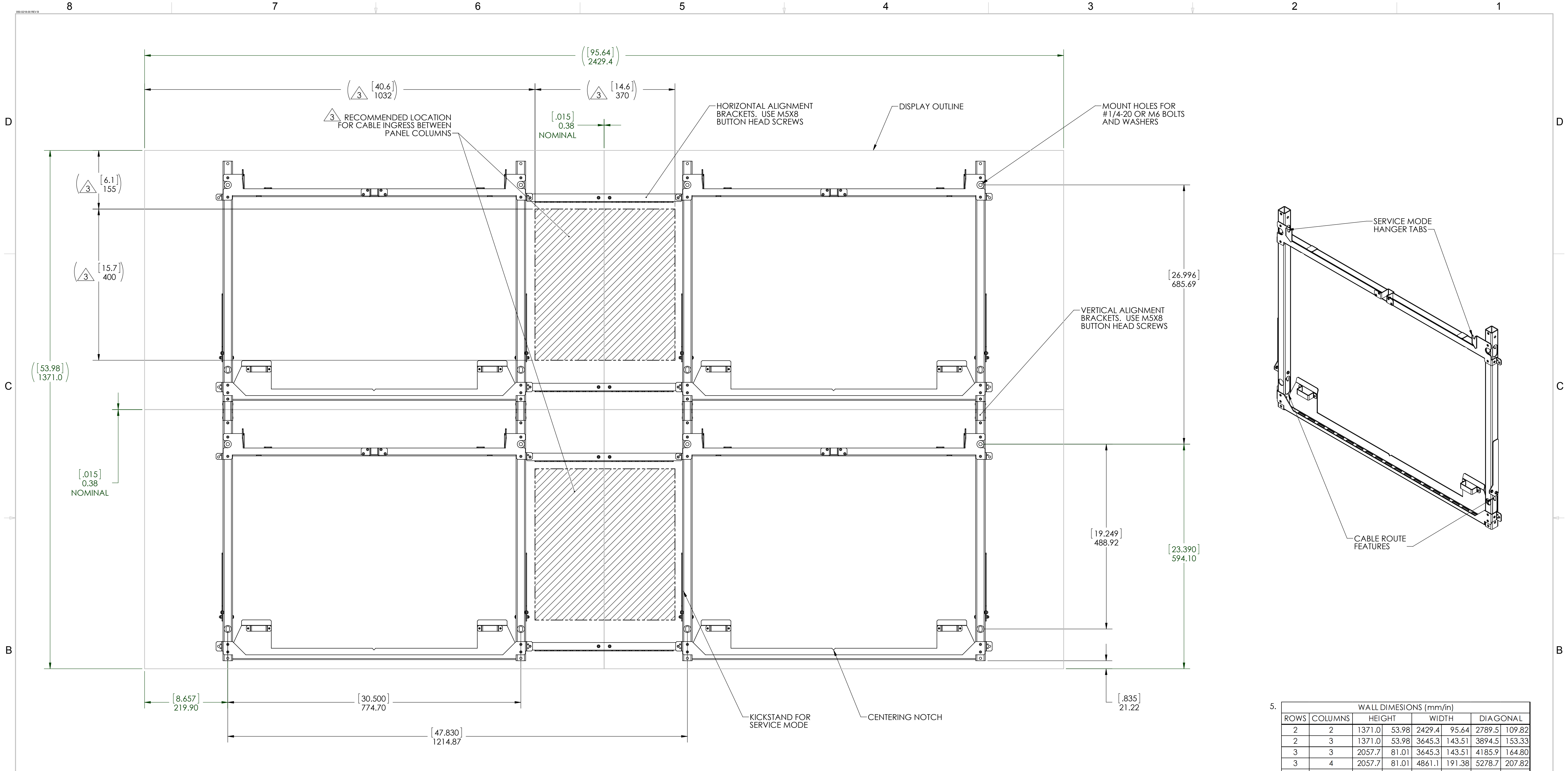
BOTTOM VIEW

SIDE VIEWS

- PANEL TEMPERATURES CAN INCREASE 3-5°C WITH EACH VERTICALLY STACKED UNIT.
 - SPECIFICATIONS SUBJECT TO CHANGE WITHOUT NOTICE.
- NOTES: UNLESS OTHERWISE SPECIFIED.

UNLESS OTHERWISE SPECIFIED DIMENSIONS ARE IN MILLIMETERS (INCHES)		ENGR BY EJS	20NOV13		PLANAR SYSTEMS, INC. 1195 NW COMPTON DRIVE BEAVERTON, OR 97006 USA
TOLERANCES:		DRAWN BY EJS	20NOV13		
X= ±1	XX= ±25	CHECKED BY		TITLE	CLARITY MATRIX MX55HDU-L PRODUCT OUTLINE
.X= ±.5	∠= ±1°	USED ON		SIZE	D
DIMENSIONING AND TOLERANCING PER ASME Y14.5M-1994		MATERIAL		PART NO.	-
THIRD ANGLE PROJECTION		FINISH		DRAWING NO.	UX2 55L Outline- 01
				SCALE	1:5
				DO NOT SCALE	
				SHEET	1 OF 8

THIS DRAWING CONTAINS INFORMATION PROPRIETARY TO PLANAR SYSTEMS, INC. ANY REPRODUCTION IN PART OR WHOLE WITHOUT THE WRITTEN PERMISSION OF PLANAR SYSTEMS IS PROHIBITED. THIS DRAWING IS SUPPLIED FOR INFORMATION, IDENTIFICATION, ENGINEERING, EVALUATION, AND/OR INSPECTION PURPOSES ONLY AND MAY NOT BE USED AS BASIS FOR THE MANUFACTURING OF PRODUCTS OR THE FURNISHING OF SERVICES TO PLANAR SYSTEMS OR TO ANY THIRD PARTY UNLESS AUTHORIZED IN WRITING BY PLANAR SYSTEMS.



5. WALL DIMENSIONS (mm/in)

ROWS	COLUMNS	HEIGHT	WIDTH	DIAGONAL			
2	2	1371.0	53.98	2429.4	95.64	2789.5	109.82
2	3	1371.0	53.98	3645.3	143.51	3894.5	153.33
3	3	2057.7	81.01	3645.3	143.51	4185.9	164.80
3	4	2057.7	81.01	4861.1	191.38	5278.7	207.82
4	4	2744.3	108.04	4861.1	191.38	5582.3	219.77
5	5	3431.0	135.08	6077.0	239.25	6978.7	274.75

4. IT IS RECOMMENDED THAT FOR FLUSH MOUNT WALLS, A MINIMUM OF 13mm (0.5") GAP BE LEFT AT THE SIDES AND A MINIMUM OF 25mm (1.0") GAP BE LEFT AT THE BOTTOM. SEE PAGE ONE FOR TOP GAP RECOMMENDATIONS.

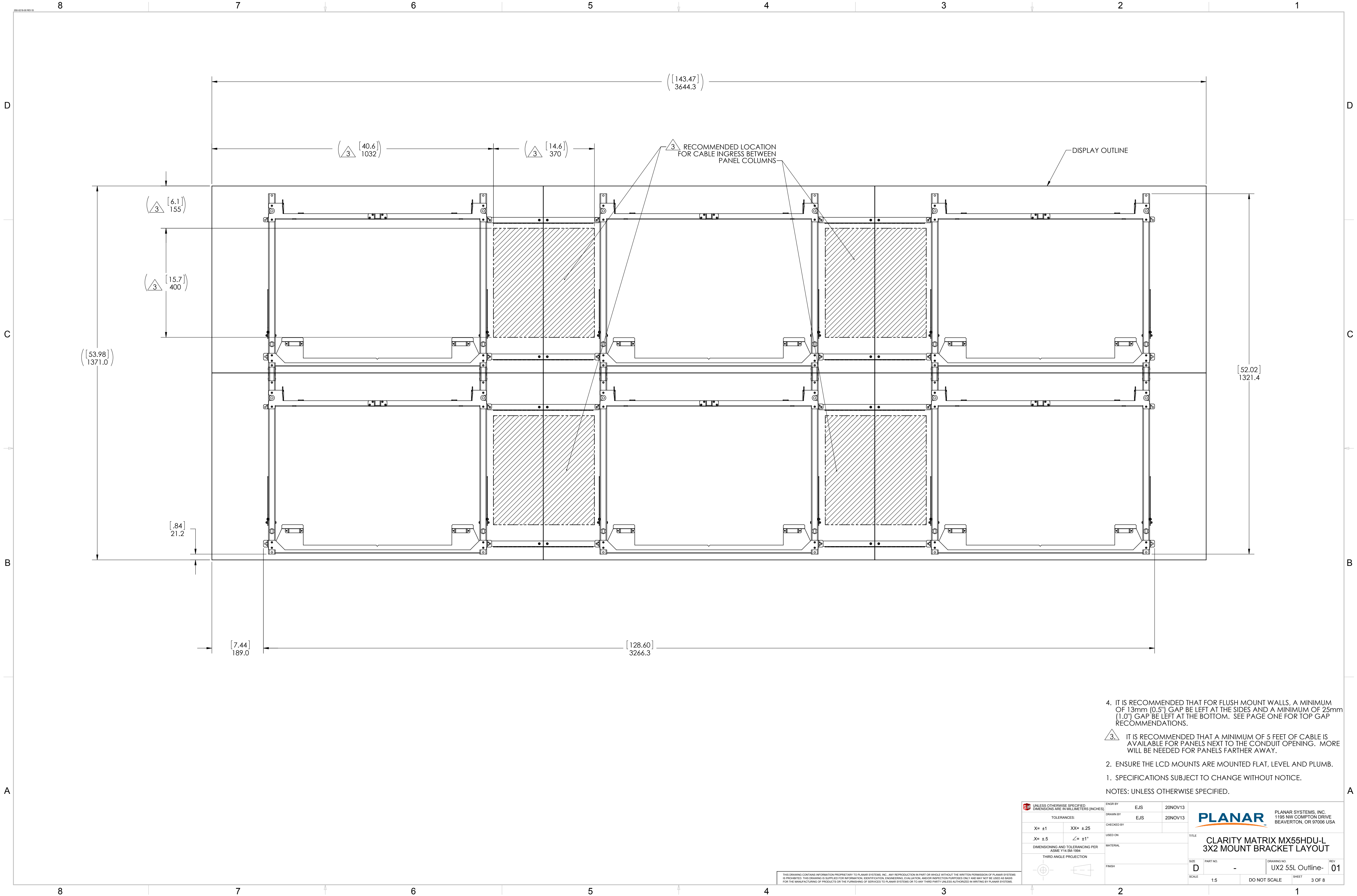
3. IT IS RECOMMENDED THAT A MINIMUM OF 5 FEET OF CABLE IS AVAILABLE FOR PANELS NEXT TO THE CONDUIT OPENING. MORE WILL BE NEEDED FOR PANELS FARTHER AWAY.

2. ENSURE THE LCD MOUNTS ARE MOUNTED FLAT, LEVEL AND PLUMB.

1. SPECIFICATIONS SUBJECT TO CHANGE WITHOUT NOTICE.

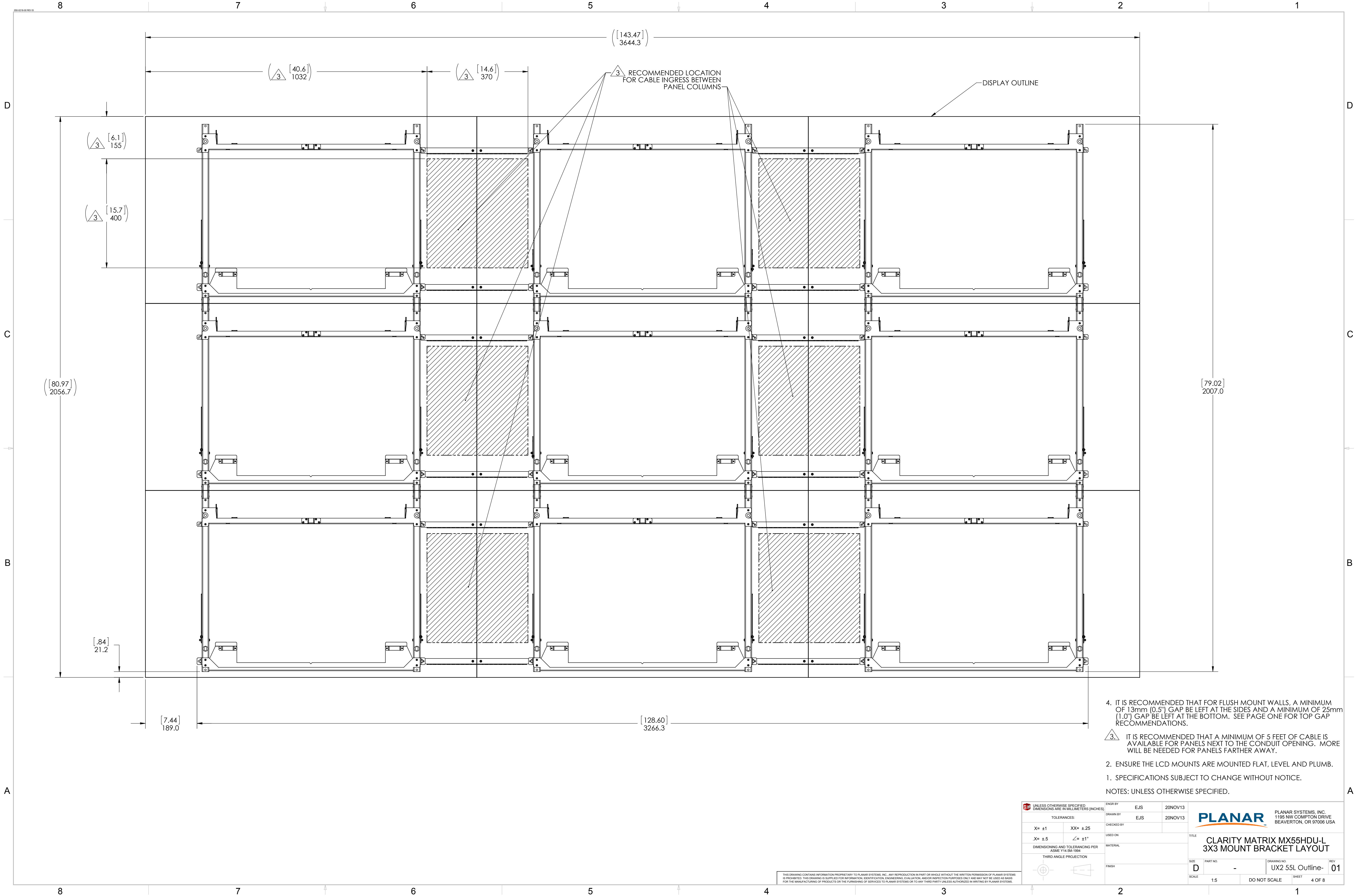
NOTES: UNLESS OTHERWISE SPECIFIED.

UNLESS OTHERWISE SPECIFIED, DIMENSIONS ARE IN MILLIMETERS (INCHES)		ENGR BY: EJS	20NOV13		PLANAR SYSTEMS, INC. 1195 NW COMPTON DRIVE BEAVERTON, OR 97006 USA
TOLERANCES:		DRAWN BY: EJS	20NOV13		
X= ±1	XX= ±25	CHECKED BY:		TITLE: CLARITY MATRIX MX55HDU-L MOUNT BRACKET LAYOUT	
.X= ±.5	∠= ±1°	USED ON:		SIZE: D	PART NO: -
DIMENSIONING AND TOLERANCING PER ASME Y14.5M-1994		MATERIAL:		SCALE: 1:5	DRAWING NO: UX2 55L Outline-
THIRD ANGLE PROJECTION		FINISH:		DO NOT SCALE	REV: 01
				SHEET 2 OF 8	



4. IT IS RECOMMENDED THAT FOR FLUSH MOUNT WALLS, A MINIMUM OF 13mm (0.5") GAP BE LEFT AT THE SIDES AND A MINIMUM OF 25mm (1.0") GAP BE LEFT AT THE BOTTOM. SEE PAGE ONE FOR TOP GAP RECOMMENDATIONS.
 3. IT IS RECOMMENDED THAT A MINIMUM OF 5 FEET OF CABLE IS AVAILABLE FOR PANELS NEXT TO THE CONDUIT OPENING. MORE WILL BE NEEDED FOR PANELS FARTHER AWAY.
 2. ENSURE THE LCD MOUNTS ARE MOUNTED FLAT, LEVEL AND PLUMB.
 1. SPECIFICATIONS SUBJECT TO CHANGE WITHOUT NOTICE.
- NOTES: UNLESS OTHERWISE SPECIFIED.

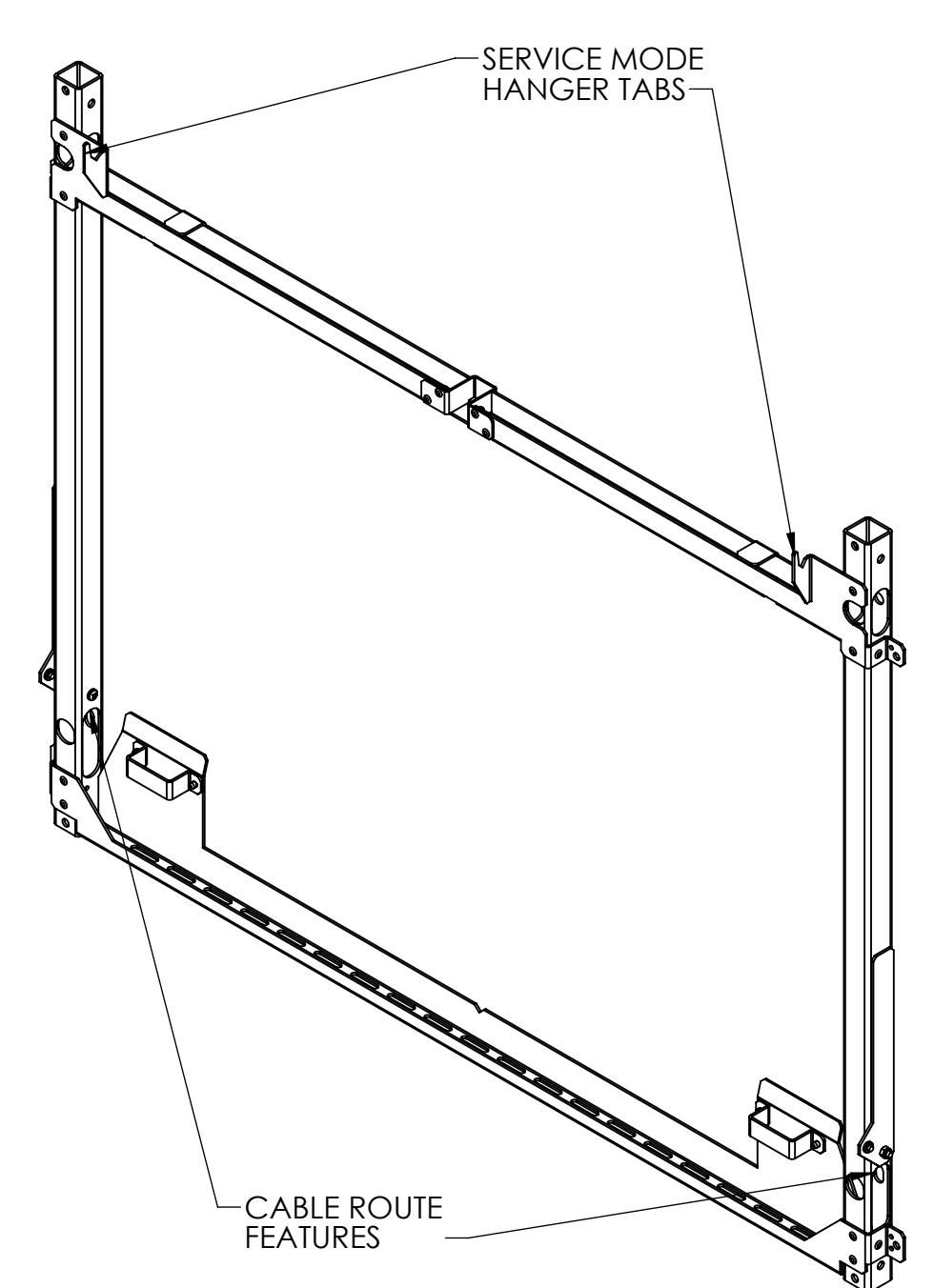
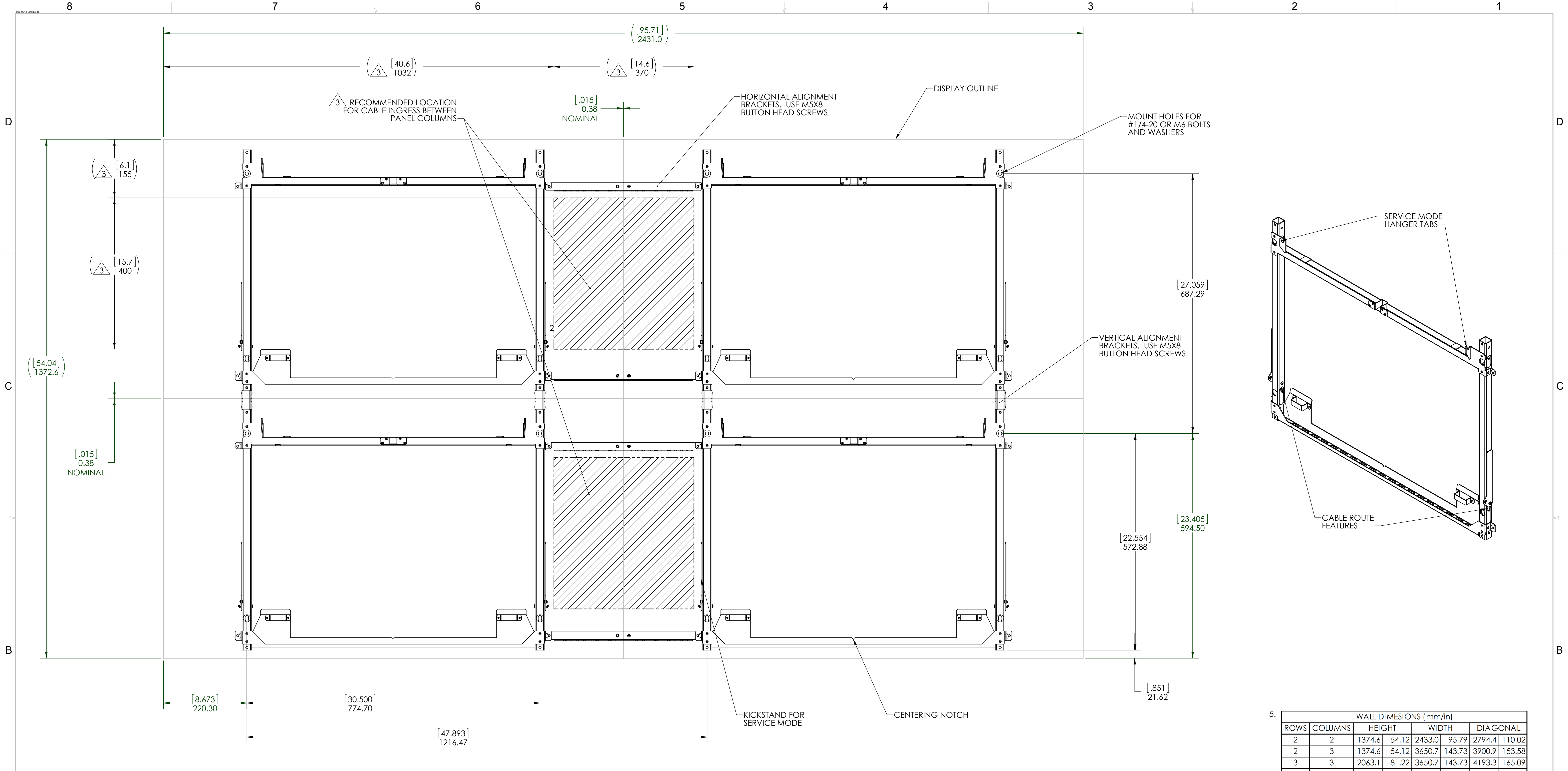
UNLESS OTHERWISE SPECIFIED, DIMENSIONS ARE IN MILLIMETERS (INCHES)		ENGR BY	EJS	20NOV13
TOLERANCES:		DRAWN BY	EJS	20NOV13
X= ±1	XX= ±.25	CHECKED BY		
.X= ±.5	∠= ±1°	USED ON		
DIMENSIONING AND TOLERANCING PER ASME Y14.5M-1994		MATERIAL		
THIRD ANGLE PROJECTION		FINISH		
<small>THIS DRAWING CONTAINS INFORMATION PROPRIETARY TO PLANAR SYSTEMS, INC. ANY REPRODUCTION IN PART OR WHOLE WITHOUT THE WRITTEN PERMISSION OF PLANAR SYSTEMS IS PROHIBITED. THIS DRAWING IS SUPPLIED FOR INFORMATION, IDENTIFICATION, ENGINEERING, EVALUATION, AND/OR INSPECTION PURPOSES ONLY AND MAY NOT BE USED AS BASIS FOR THE MANUFACTURING OF PRODUCTS OR THE FURNISHING OF SERVICES TO PLANAR SYSTEMS OR TO ANY THIRD PARTY UNLESS AUTHORIZED IN WRITING BY PLANAR SYSTEMS.</small>		<small>PLANAR SYSTEMS, INC. 1195 NW COMPTON DRIVE BEAVERTON, OR 97008 USA</small>		
		CLARITY MATRIX MX55HDU-L 3X2 MOUNT BRACKET LAYOUT		
SIZE	D	PART NO.	-	DRAWING NO.
SCALE	1:5		UX2 55L Outline-	REV 01
		DO NOT SCALE	SHEET 3 OF 8	



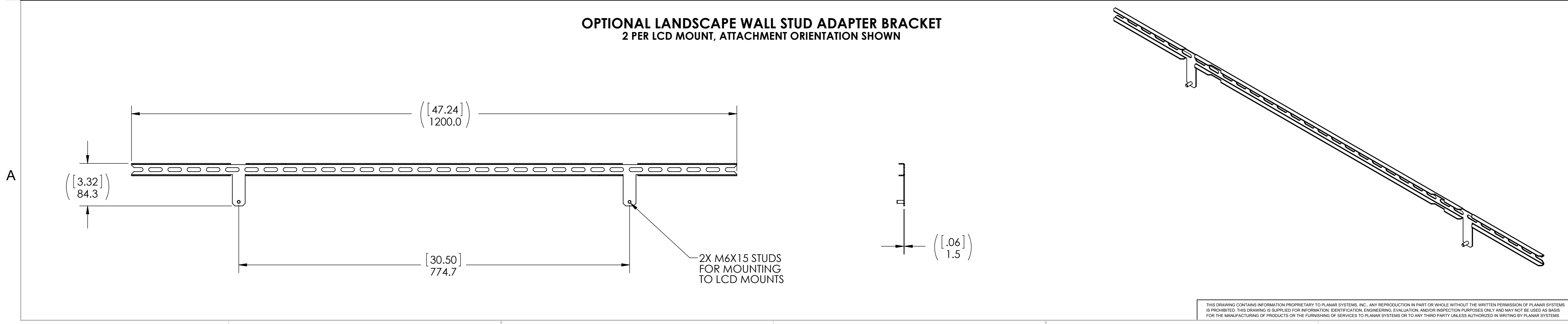
4. IT IS RECOMMENDED THAT FOR FLUSH MOUNT WALLS, A MINIMUM OF 13mm (0.5") GAP BE LEFT AT THE SIDES AND A MINIMUM OF 25mm (1.0") GAP BE LEFT AT THE BOTTOM. SEE PAGE ONE FOR TOP GAP RECOMMENDATIONS.
3. IT IS RECOMMENDED THAT A MINIMUM OF 5 FEET OF CABLE IS AVAILABLE FOR PANELS NEXT TO THE CONDUIT OPENING. MORE WILL BE NEEDED FOR PANELS FARTHER AWAY.
2. ENSURE THE LCD MOUNTS ARE MOUNTED FLAT, LEVEL AND PLUMB.
1. SPECIFICATIONS SUBJECT TO CHANGE WITHOUT NOTICE.
- NOTES: UNLESS OTHERWISE SPECIFIED.

UNLESS OTHERWISE SPECIFIED DIMENSIONS ARE IN MILLIMETERS [INCHES]		ENGR BY EJS	20NOV13		PLANAR SYSTEMS, INC. 1195 NW COMPTON DRIVE BEAVERTON, OR 97006 USA
TOLERANCES:		DRAWN BY EJS	20NOV13		
X= ±1	XX= ±.25	CHECKED BY		TITLE	
.X= ±.5	∠= ±1°	USED ON		CLARITY MATRIX MX55HDU-L 3X3 MOUNT BRACKET LAYOUT	
DIMENSIONING AND TOLERANCING PER ASME Y14.5M-1994		MATERIAL		SIZE	DRAWING NO.
THIRD ANGLE PROJECTION		FINISH		D	UX2 55L Outline- 01
				SCALE	DO NOT SCALE SHEET 4 OF 8

THIS DRAWING CONTAINS INFORMATION PROPRIETARY TO PLANAR SYSTEMS, INC. ANY REPRODUCTION IN PART OR WHOLE WITHOUT THE WRITTEN PERMISSION OF PLANAR SYSTEMS IS PROHIBITED. THIS DRAWING IS SUPPLIED FOR INFORMATION, IDENTIFICATION, ENGINEERING, EVALUATION, AND/OR INSPECTION PURPOSES ONLY AND MAY NOT BE USED AS BASIS FOR THE MANUFACTURING OF PRODUCTS OR THE FURNISHING OF SERVICES TO PLANAR SYSTEMS OR TO ANY THIRD PARTY UNLESS AUTHORIZED IN WRITING BY PLANAR SYSTEMS.



OPTIONAL LANDSCAPE WALL STUD ADAPTER BRACKET
2 PER LCD MOUNT, ATTACHMENT ORIENTATION SHOWN



5. WALL DIMENSIONS (mm/in)

ROWS	COLUMNS	HEIGHT	WIDTH	DIAGONAL
2	2	1374.6	54.12	2433.0
2	3	1374.6	54.12	3650.7
3	3	2063.1	81.22	3650.7
3	4	2063.1	81.22	4868.3
4	4	2751.5	108.33	4868.3
5	5	3440.0	135.43	6086.0

4. IT IS RECOMMENDED THAT FOR FLUSH MOUNT WALLS, A MINIMUM OF 13mm (0.5") GAP BE LEFT AT THE SIDES AND A MINIMUM OF 25mm (1.0") GAP BE LEFT AT THE BOTTOM. SEE PAGE ONE FOR TOP GAP RECOMMENDATIONS.

3. IT IS RECOMMENDED THAT A MINIMUM OF 5 FEET OF CABLE IS AVAILABLE FOR PANELS NEXT TO THE CONDUIT OPENING. MORE WILL BE NEEDED FOR PANELS FARTHER AWAY.

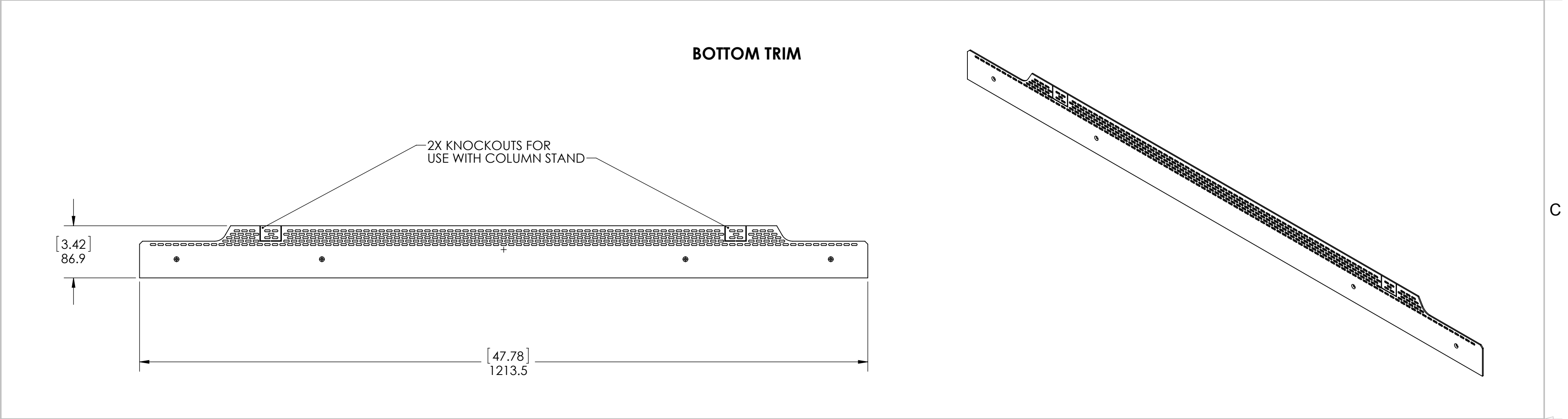
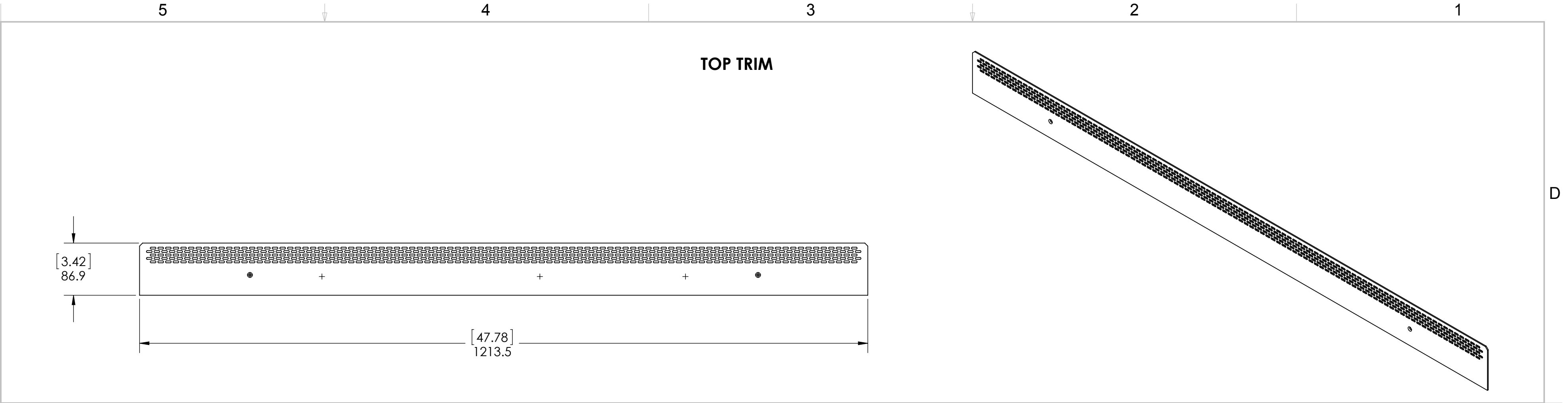
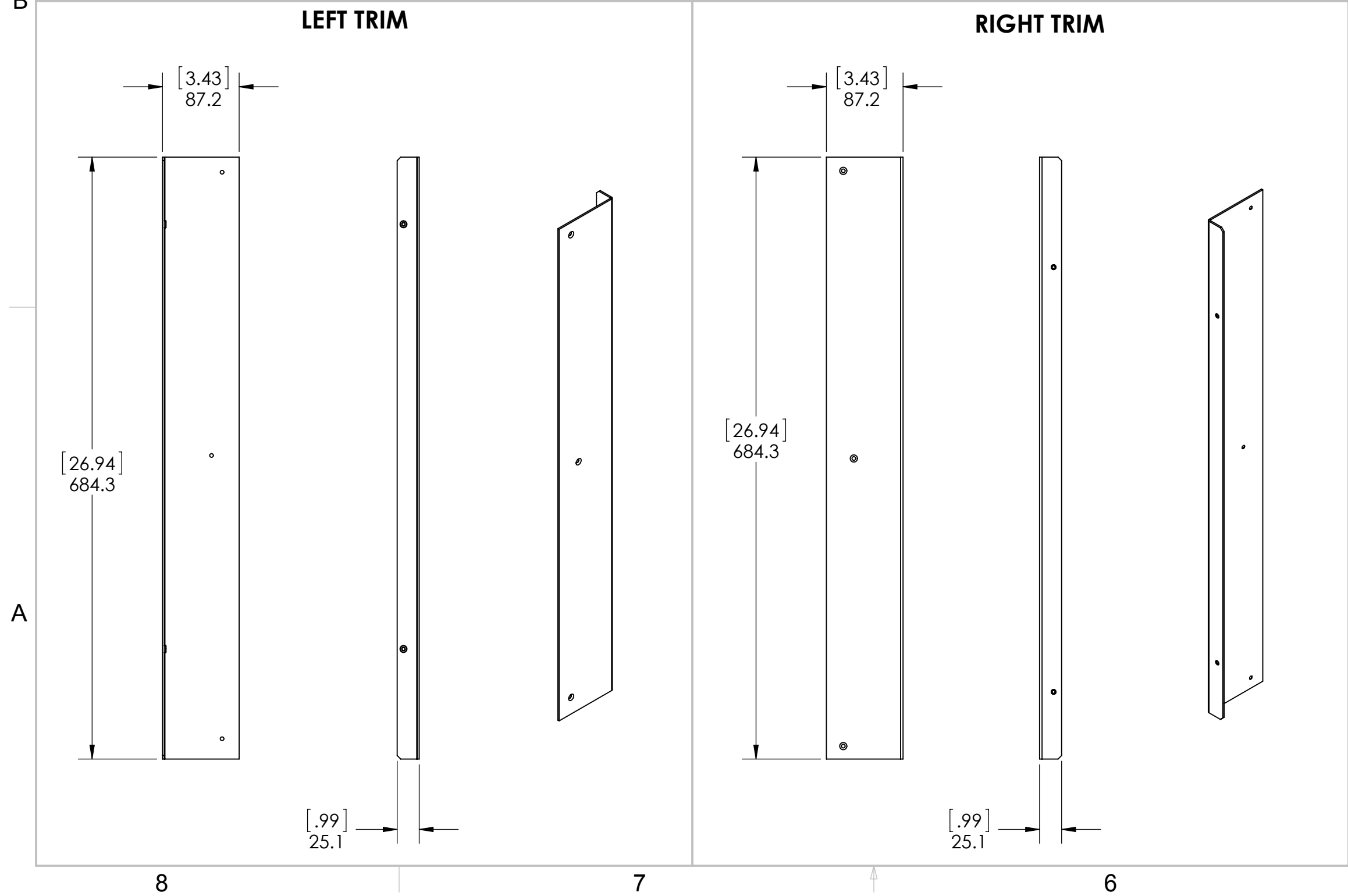
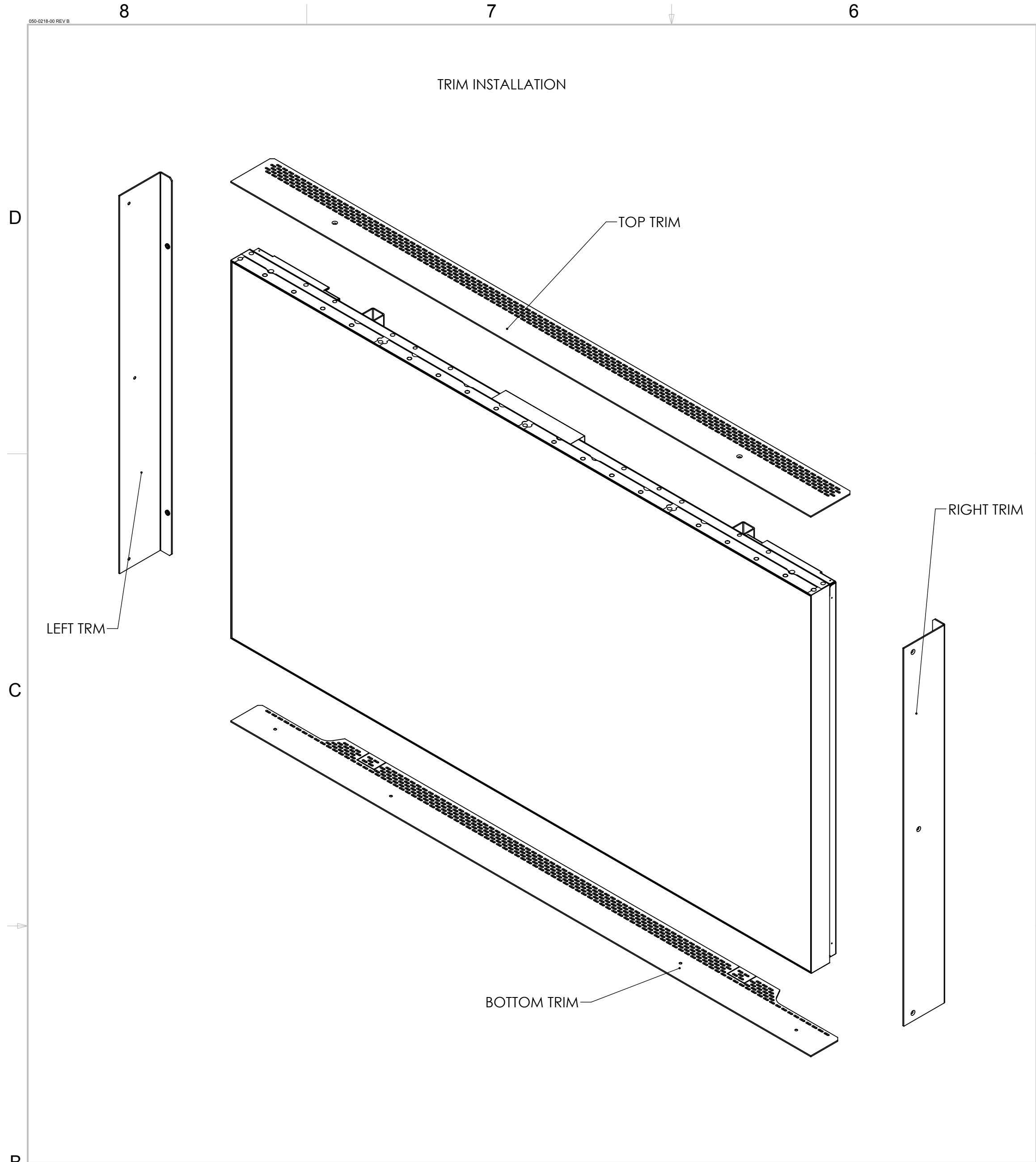
2. ENSURE THE LCD MOUNTS ARE MOUNTED FLAT, LEVEL AND PLUMB.

1. SPECIFICATIONS SUBJECT TO CHANGE WITHOUT NOTICE.

NOTES: UNLESS OTHERWISE SPECIFIED.

UNLESS OTHERWISE SPECIFIED, DIMENSIONS ARE IN MILLIMETERS (INCHES)		ENGR BY: EJS	20NOV13		PLANAR SYSTEMS, INC. 1195 NW COMPTON DRIVE BEAVERTON, OR 97008 USA
TOLERANCES:		DRAWN BY: EJS	20NOV13		
X= ±1	XX= ±25	CHECKED BY:	USED ON:	TITLE: CLARITY MATRIX MX55HDU-L ERO MOUNT BRACKET LAYOUT	
X= ±5	∠= ±1°	MATERIAL:	FINISH:	SIZE: D	REV: 01
DIMENSIONING AND TOLERANCING PER ASME Y14.5M-1994			DRAWING NO: UX2 55L Outline-		
THIRD ANGLE PROJECTION			SHEET: 5 OF 8		

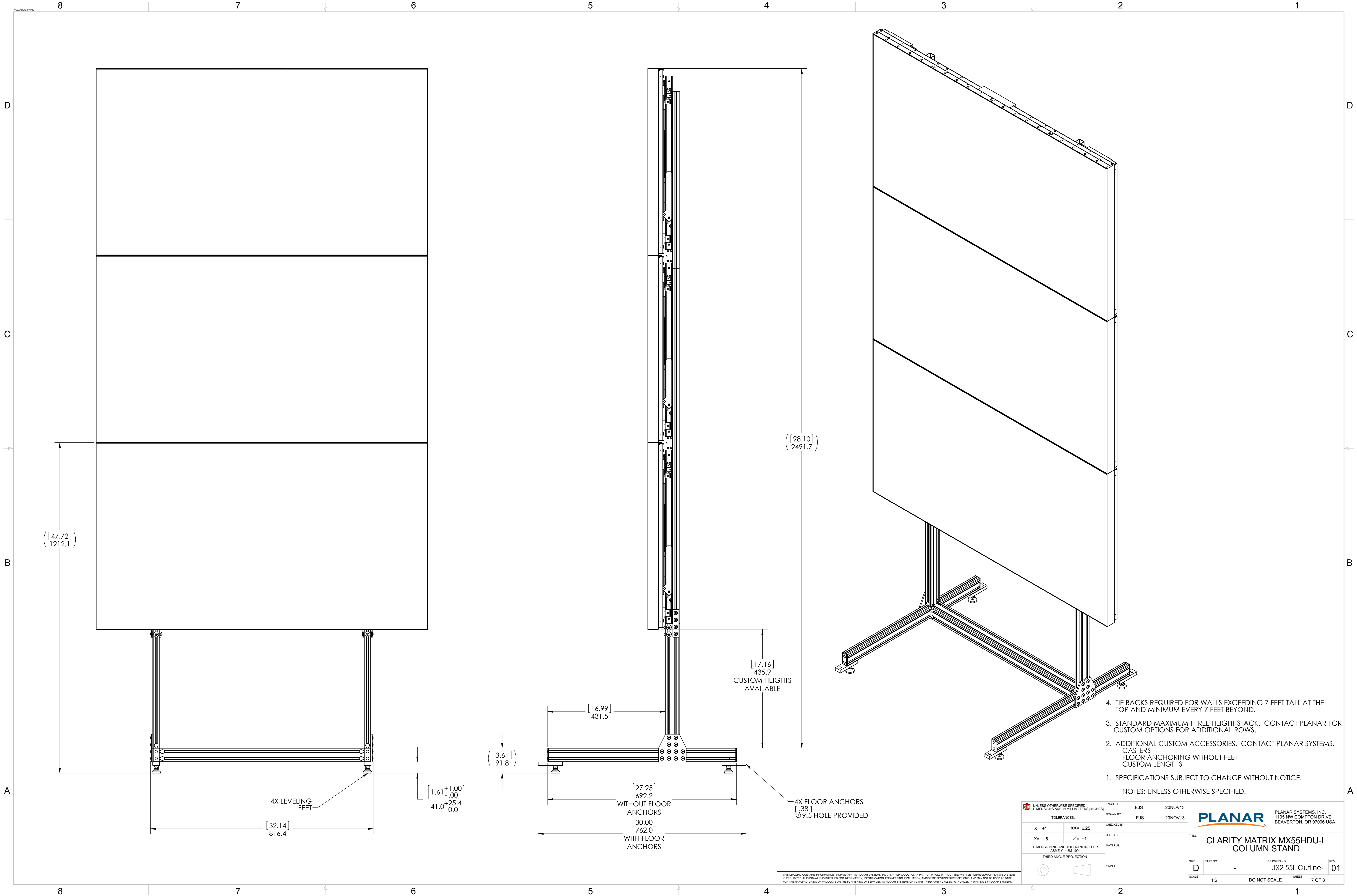
THIS DRAWING CONTAINS INFORMATION PROPRIETARY TO PLANAR SYSTEMS, INC. ANY REPRODUCTION IN PART OR WHOLE WITHOUT THE WRITTEN PERMISSION OF PLANAR SYSTEMS IS PROHIBITED. THIS DRAWING IS SUPPLIED FOR INFORMATION, IDENTIFICATION, ENGINEERING, EVALUATION, AND/OR INSPECTION PURPOSES ONLY AND MAY NOT BE USED AS BASIS FOR THE MANUFACTURING OF PRODUCTS OR THE FURNISHING OF SERVICES TO PLANAR SYSTEMS OR TO ANY THIRD PARTY UNLESS AUTHORIZED IN WRITING BY PLANAR SYSTEMS.



THIS DRAWING CONTAINS INFORMATION PROPRIETARY TO PLANAR SYSTEMS, INC. ANY REPRODUCTION IN PART OR WHOLE WITHOUT THE WRITTEN PERMISSION OF PLANAR SYSTEMS IS PROHIBITED. THIS DRAWING IS SUPPLIED FOR INFORMATION, IDENTIFICATION, ENGINEERING, EVALUATION, AND/OR INSPECTION PURPOSES ONLY AND MAY NOT BE USED AS BASIS FOR THE MANUFACTURING OF PRODUCTS OR THE FURNISHING OF SERVICES TO PLANAR SYSTEMS OR TO ANY THIRD PARTY UNLESS AUTHORIZED IN WRITING BY PLANAR SYSTEMS.

- 2. TOP, BOTTOM, LEFT AND RIGHT TRIM ARE 2mm THICK.
 - 1. SPECIFICATIONS SUBJECT TO CHANGE WITHOUT NOTICE.
- NOTES: UNLESS OTHERWISE SPECIFIED.

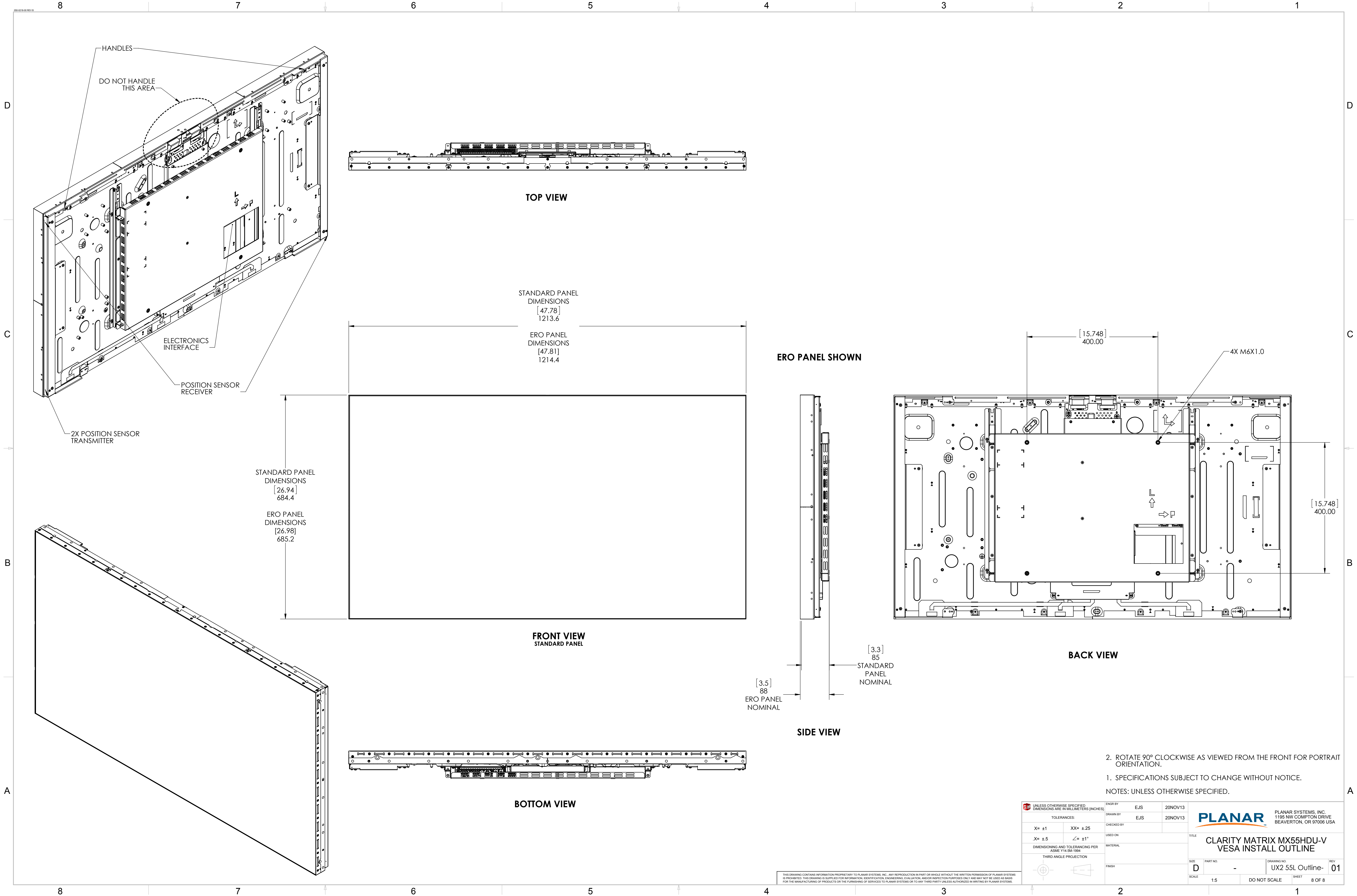
UNLESS OTHERWISE SPECIFIED: DIMENSIONS ARE IN MILLIMETERS (INCHES)		ENGR BY EJS	20NOV13	 PLANAR SYSTEMS, INC. 1195 NW COMPTON DRIVE BEAVERTON, OR 97006 USA
TOLERANCES:		DRAWN BY EJS	20NOV13	
X= ±1	XX= ±.25	CHECKED BY		TITLE CLARITY MATRIX MX55HDU-L TRIM INSTALL OPTIONS
.X= ±.5	∠= ±1°	USED ON		SIZE D
DIMENSIONING AND TOLERANCING PER ASME Y14.5M-1994		MATERIAL		PART NO -
THIRD ANGLE PROJECTION		FINISH		DRAWING NO UX2 55L Outline-
				REV 01
SCALE 1:5	DO NOT SCALE	SHEET 6 OF 8		



4. TIE BACKS REQUIRED FOR WALLS EXCEEDING 7 FEET TALL AT THE TOP AND MINIMUM EVERY 7 FEET BEYOND.
 3. STANDARD MAXIMUM THREE HEIGHT STACK. CONTACT PLANAR FOR CUSTOM OPTIONS FOR ADDITIONAL ROWS.
 2. ADDITIONAL CUSTOM ACCESSORIES. CONTACT PLANAR SYSTEMS. CASTERS FLOOR ANCHORING WITHOUT FEET CUSTOM LENGTHS
 1. SPECIFICATIONS SUBJECT TO CHANGE WITHOUT NOTICE.
- NOTES: UNLESS OTHERWISE SPECIFIED.

UNLESS OTHERWISE SPECIFIED DIMENSIONS ARE IN MILLIMETERS (INCHES)		ENGR BY EJS	20NOV13		PLANAR SYSTEMS, INC. 1195 NW COMPTON DRIVE BEAVERTON, OR 97008 USA
TOLERANCES:		DRAWN BY EJS	20NOV13		
X= ±1	XX= ±25	CHECKED BY		TITLE CLARITY MATRIX MX55HDU-L COLUMN STAND	
.X= ±.5	∠= ±1°	USED ON		SIZE D	PART NO -
DIMENSIONING AND TOLERANCING PER ASME Y14.5M-1994		MATERIAL		DRAWING NO UX2 55L Outline- 01	
THIRD ANGLE PROJECTION		FINISH		SCALE 1:6	DO NOT SCALE
				SHEET 7 OF 8	

THIS DRAWING CONTAINS INFORMATION PROPRIETARY TO PLANAR SYSTEMS, INC. ANY REPRODUCTION IN PART OR WHOLE WITHOUT THE WRITTEN PERMISSION OF PLANAR SYSTEMS IS PROHIBITED. THIS DRAWING IS SUPPLIED FOR INFORMATION, IDENTIFICATION, ENGINEERING, EVALUATION, AND/OR INSPECTION PURPOSES ONLY AND MAY NOT BE USED AS BASIS FOR THE MANUFACTURING OF PRODUCTS OR THE FURNISHING OF SERVICES TO PLANAR SYSTEMS OR TO ANY THIRD PARTY UNLESS AUTHORIZED IN WRITING BY PLANAR SYSTEMS.



TOP VIEW

STANDARD PANEL DIMENSIONS
 [47.78]
 1213.6
 ERO PANEL DIMENSIONS
 [47.81]
 1214.4

ERO PANEL SHOWN

[15.748]
 400.00

4X M6X1.0

[15.748]
 400.00

FRONT VIEW
 STANDARD PANEL

STANDARD PANEL DIMENSIONS
 [26.94]
 684.4
 ERO PANEL DIMENSIONS
 [26.98]
 685.2

BACK VIEW

[3.5]
 88
 ERO PANEL NOMINAL
 [3.3]
 85
 STANDARD PANEL NOMINAL

SIDE VIEW

BOTTOM VIEW

2. ROTATE 90° CLOCKWISE AS VIEWED FROM THE FRONT FOR PORTRAIT ORIENTATION.
 1. SPECIFICATIONS SUBJECT TO CHANGE WITHOUT NOTICE.
- NOTES: UNLESS OTHERWISE SPECIFIED.

UNLESS OTHERWISE SPECIFIED DIMENSIONS ARE IN MILLIMETERS [INCHES]		ENGR BY EJS	20NOV13		PLANAR SYSTEMS, INC. 1195 NW COMPTON DRIVE BEAVERTON, OR 97008 USA
TOLERANCES:		DRAWN BY EJS	20NOV13		
X= ±1	XX= ±.25	CHECKED BY		TITLE	CLARITY MATRIX MX55HDU-V VESA INSTALL OUTLINE
.X= ±.5	∠= ±1°	USED ON		SIZE	D
DIMENSIONING AND TOLERANCING PER ASME Y14.5M-1994		MATERIAL		PART NO.	-
THIRD ANGLE PROJECTION		FINISH		DRAWING NO.	UX2 55L Outline- 01
				SCALE	1:5
				DO NOT SCALE	
				SHEET	8 OF 8

THIS DRAWING CONTAINS INFORMATION PROPRIETARY TO PLANAR SYSTEMS, INC. ANY REPRODUCTION IN PART OR WHOLE WITHOUT THE WRITTEN PERMISSION OF PLANAR SYSTEMS IS PROHIBITED. THIS DRAWING IS SUPPLIED FOR INFORMATION, IDENTIFICATION, ENGINEERING, EVALUATION, AND/OR INSPECTION PURPOSES ONLY AND MAY NOT BE USED AS BASIS FOR THE MANUFACTURING OF PRODUCTS OR THE FURNISHING OF SERVICES TO PLANAR SYSTEMS OR TO ANY THIRD PARTY UNLESS AUTHORIZED IN WRITING BY PLANAR SYSTEMS.